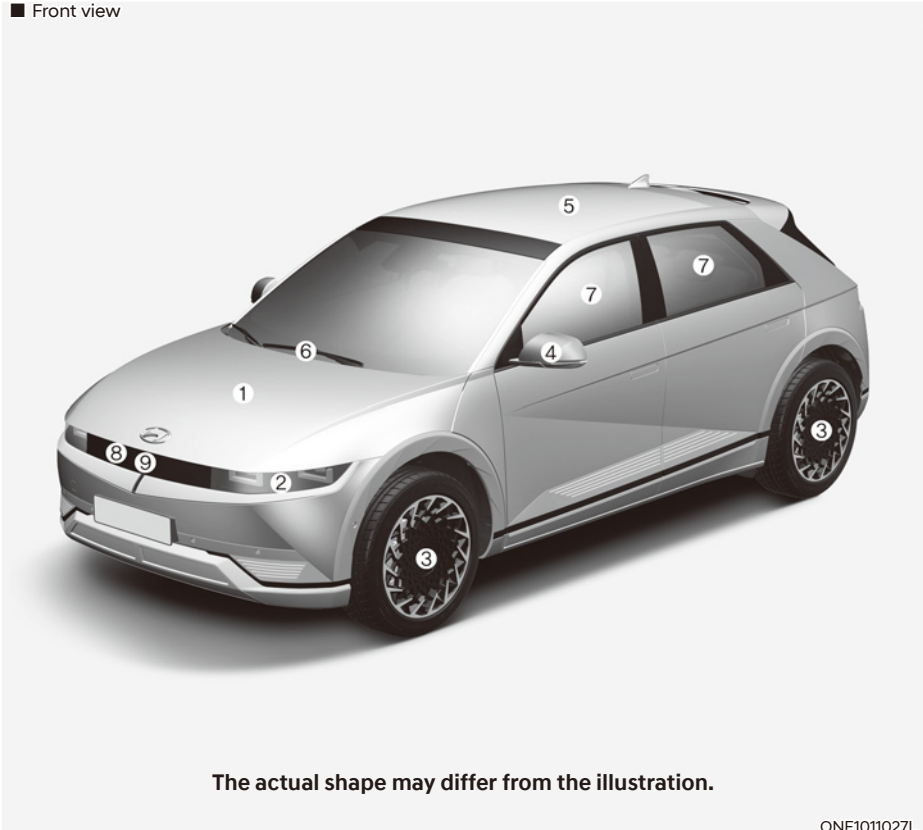


# 2. Vehicle information

|   |      |
|---|------|
| Exterior overview (I).....                  | 2-2  |
| Exterior overview (II).....                 | 2-3  |
| Interior overview (I) .....                 | 2-4  |
| Interior overview (II) .....                | 2-5  |
| Instrument panel overview (I).....          | 2-6  |
| Instrument panel overview (II).....         | 2-7  |
| Instrument panel overview (III).....        | 2-8  |
| Motor compartment .....                     | 2-9  |
| Dimensions.....                             | 2-10 |
| Electric vehicle specifications .....       | 2-10 |
| Bulb wattage .....                          | 2-11 |
| Tires and wheels .....                      | 2-12 |
| Load and speed capacity tires .....         | 2-13 |
| Air conditioning system.....                | 2-13 |
| Vehicle weight and luggage volume .....     | 2-13 |
| Available front trunk weight.....           | 2-13 |
| Recommended lubricants and capacities ..... | 2-14 |
| Vehicle Identification Number (VIN) .....   | 2-15 |
| Vehicle certification label.....            | 2-15 |
| Tire specification and pressure label.....  | 2-16 |
| Motor number .....                          | 2-16 |
| Air conditioner compressor label .....      | 2-17 |
| Refrigerant label .....                     | 2-17 |
| Declaration of conformity .....             | 2-17 |

## EXTERIOR OVERVIEW (I)

■ Front view

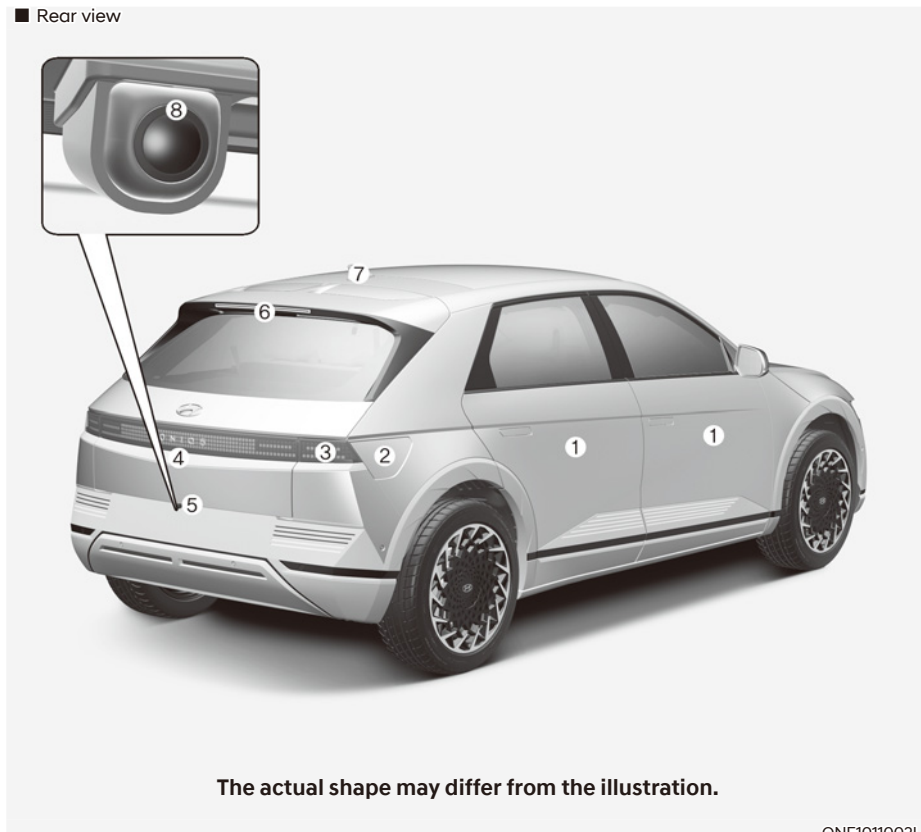


ONE1011027L

- |                                  |      |                                       |            |
|----------------------------------|------|---------------------------------------|------------|
| 1. Hood.....                     | 5-47 | 5. Vision/Solar roof.....             | 5-41, 5-44 |
| 2. Headlamp.....                 | 9-44 | 6. Front windshield wiper blades .... | 5-73, 9-16 |
| 3. Tires and wheels.....         | 9-22 | 7. Windows .....                      | 5-36       |
| 4. Outside rearview mirror ..... | 5-32 | 8. Front radar .....                  | 7-4        |
|                                  |      | 9. Surround-front view camera .....   | 7-124      |

## EXTERIOR OVERVIEW (II)

### ■ Rear view



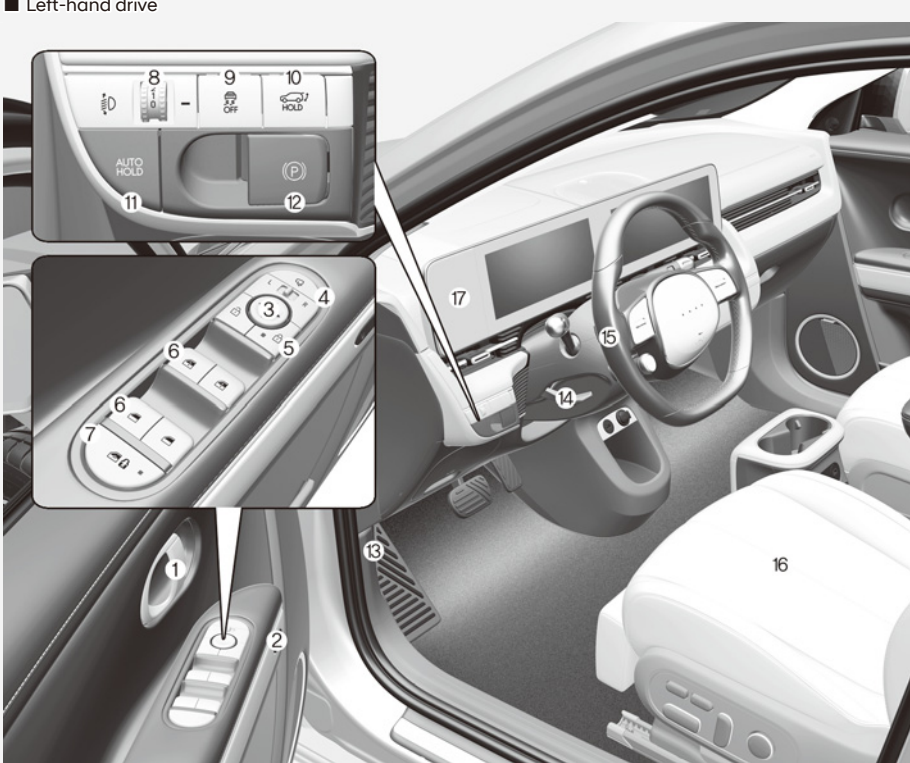
The actual shape may differ from the illustration.

ONE1011002L

- |                                |      |                                    |       |
|--------------------------------|------|------------------------------------|-------|
| 1. Door.....                   | 5-13 | 5. Tailgate open/close button..... | 5-51  |
| 2. Electric charging door..... | 5-57 | 6. High mounted stop lamp .....    | 9-51  |
| 3. Rear lamp.....              | 9-50 | 7. Antenna.....                    | 5-110 |
| 4. Tailgate.....               | 5-49 | 8. Rear view camera.....           | 7-121 |

## INTERIOR OVERVIEW (I)

■ Left-hand drive



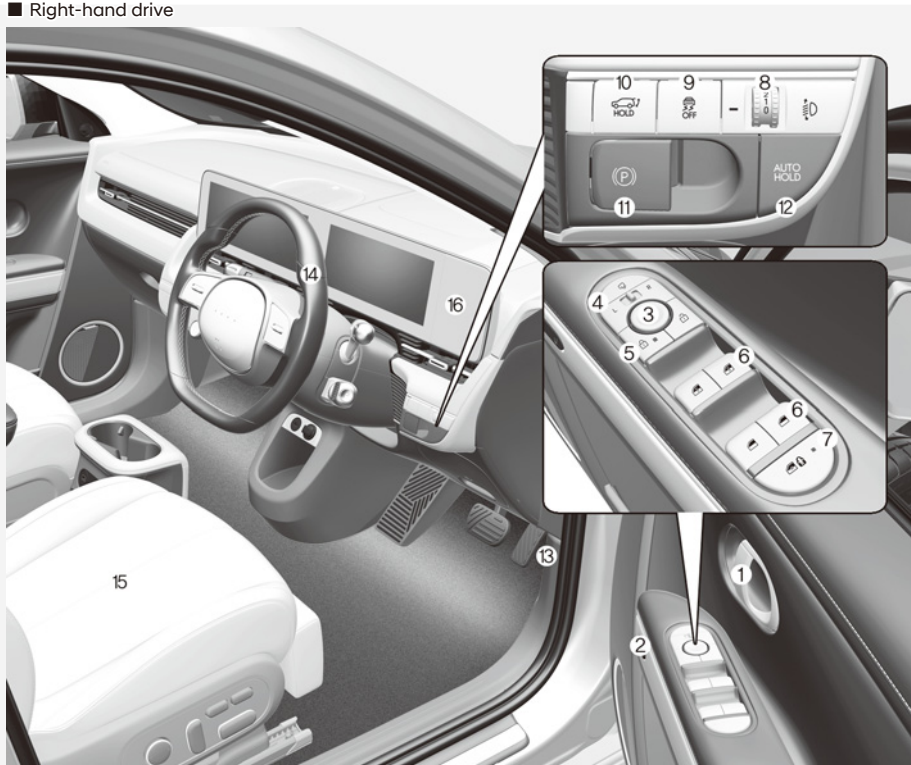
The actual shape may differ from the illustration.

ONE1011003

- |   |      |  |       |
|---|------|--|-------|
| 1. Inside door handle.....  | 5-17 | 9. ESC (Electronic Stability Control) OFF<br>button..... | 6-37  |
| 2. Integrated memory system .....   | 5-24 | 10. Power tailgate open/close button.....                | 5-51  |
| 3. Outside rearview mirror<br>control switch .....                        | 5-33 | 11. AUTO Hold button .....                               | 6-32  |
| 4. Outside rearview mirror<br>folding button .....                        | 5-33 | 12. EPB (Electronic Parking Brake)<br>switch .....       | 6-27  |
| 5. Central door lock switch .....   | 5-17 | 13. Hood release lever.....                              | 5-47  |
| 6. Power window switches .....  | 5-36 | 14. Steering wheel tilt/telescopic lever ....            | 5-29  |
| 7. Power window lock button /<br>Electronic child safety lock button..... | 5-39 | 15. Steering wheel.....                                  | 5-28  |
| 8. Headlamp leveling device .....   | 5-66 | 16. Seat.....  | 3-3   |
|   |      | 17. Cluster fascia side panel .....                      | 5-105 |

## INTERIOR OVERVIEW (II)

■ Right-hand drive



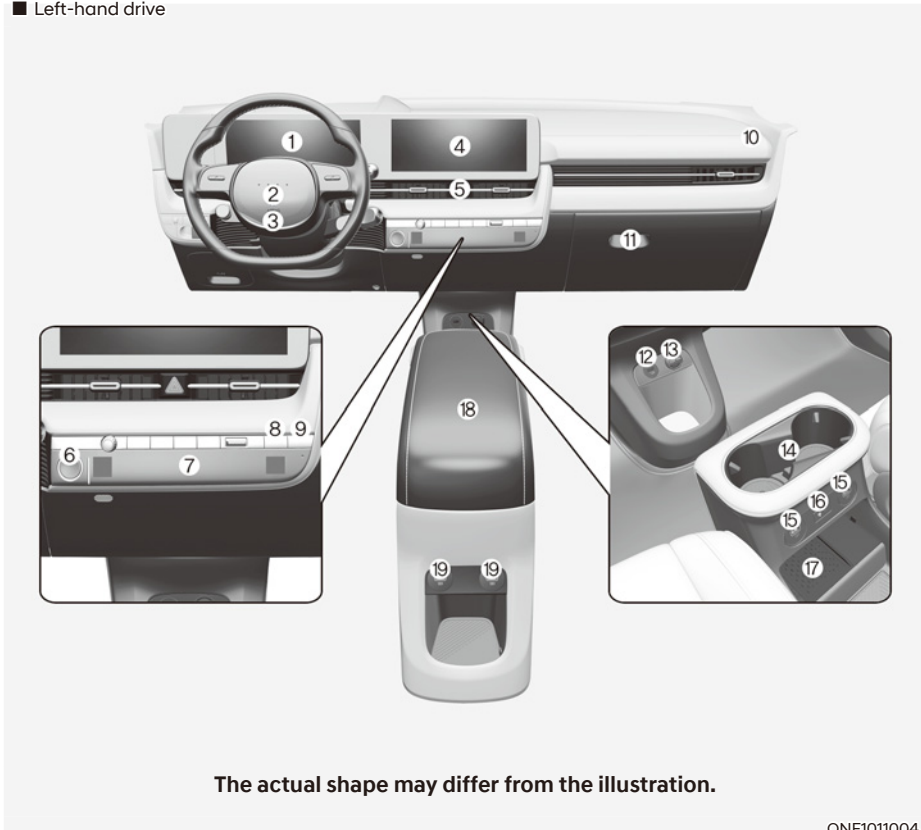
The actual shape may differ from the illustration.

ONE1011003R

- |  |      |  |       |
|--|------|--|-------|
| 1. Inside door handle.....                         | 5-17 | 9. ESC (Electronic Stability Control) OFF<br>button..... | 6-37  |
| 2. Integrated memory system .....                  | 5-24 | 10. Power tailgate open/close button.....                | 5-51  |
| 3. Outside rearview mirror<br>control switch ..... | 5-33 | 11. EPB (Electronic Parking Brake)<br>switch .....       | 6-27  |
| 4. Outside rearview mirror<br>folding button ..... | 5-33 | 12. AUTO Hold button .....                               | 6-32  |
| 5. Central door lock switch .....                  | 5-17 | 13. Hood release lever.....                              | 5-47  |
| 6. Power window switches .....                     | 5-36 | 14. Steering wheel.....                                  | 5-28  |
| 7. Power window lock button / .....                | 5-39 | 15. Seat.....  | 3-3   |
| Electronic child safety lock button.....           | 5-20 | 16. Cluster fascia side panel .....                      | 5-105 |
| 8. Headlamp leveling device .....                  | 5-66 |  |       |

## INSTRUMENT PANEL OVERVIEW (I)

■ Left-hand drive

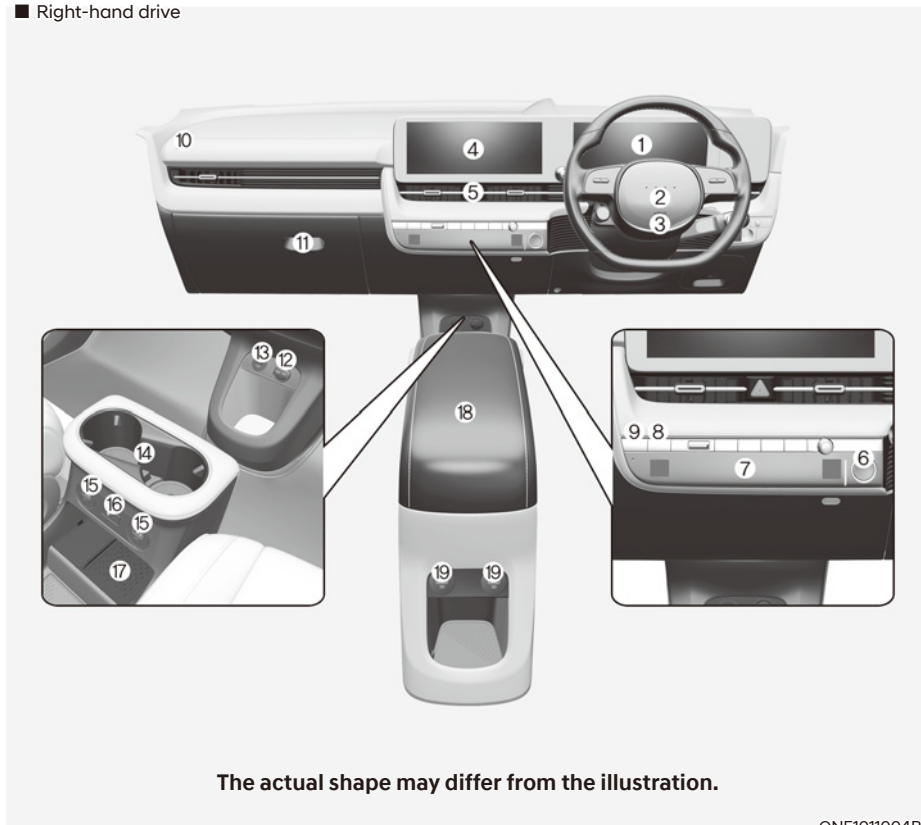


ONE1011004

|   |       |                                       |       |
|---|-------|---------------------------------------|-------|
| 1. Instrument cluster .....               | 4-4   | 11. Glove box .....                   | 5-98  |
| 2. Horn.....                              | 5-29  | 12. USB port.....                     | 5-110 |
| 3. Driver's front air bag.....            | 3-57  | 13. Power outlet.....                 | 5-101 |
| 4. Infotainment system .....              | 5-111 | 14. Cup holder .....                  | 5-99  |
| 5. Hazard warning flasher button.....     | 8-2   | 15. USB charger.....                  | 5-102 |
| 6. Start/Stop button .....                | 6-4   | 16. Wireless charging system .....    | 5-103 |
| 7. Automatic climate control system ..... | 5-76  | 17. Wireless charging system pad..... | 5-103 |
| 8. Parking/View button .....              | 7-122 | 18. Center console.....               | 5-97  |
| 9. Parking Safety button.....             | 7-145 | 19. Rear seat USB charger .....       | 5-102 |
| 10. Passenger's front air bag .....       | 3-57  |                                       |       |

## INSTRUMENT PANEL OVERVIEW (II)

■ Right-hand drive

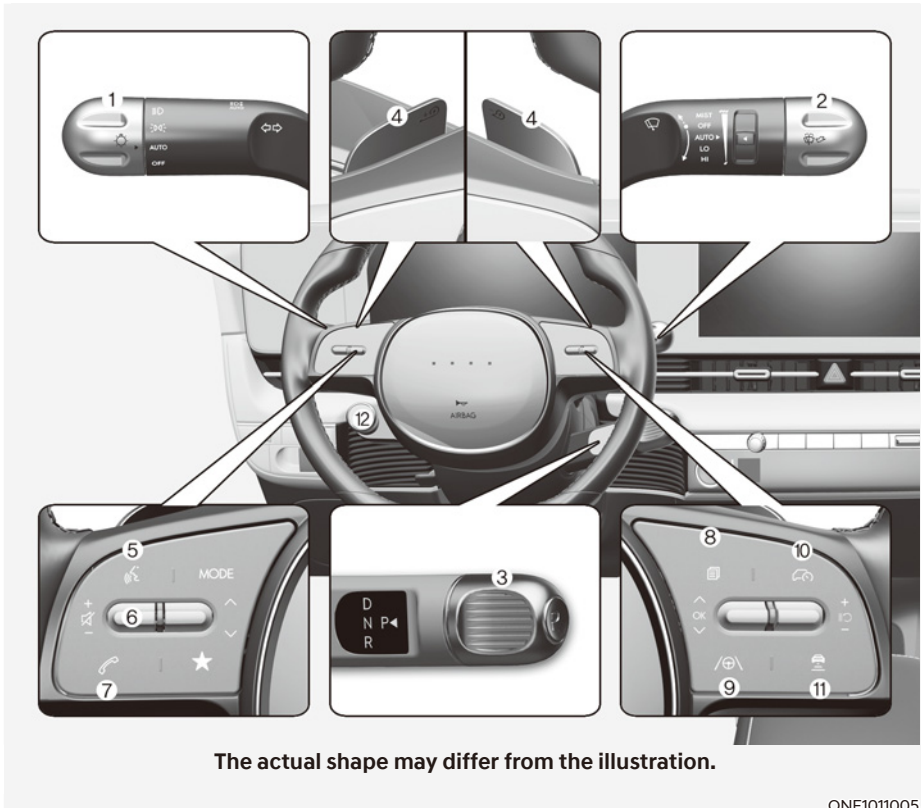


The actual shape may differ from the illustration.

ONE1011004R

- |   |       |                                       |       |
|---|-------|---------------------------------------|-------|
| 1. Instrument cluster .....               | 4-4   | 11. Glove box .....                   | 5-98  |
| 2. Horn.....                              | 5-29  | 12. USB port.....                     | 5-110 |
| 3. Driver's front air bag.....            | 3-57  | 13. Power outlet.....                 | 5-101 |
| 4. Infotainment system .....              | 5-111 | 14. Cup holder .....                  | 5-99  |
| 5. Hazard warning flasher button.....     | 8-2   | 15. USB charger .....                 | 5-102 |
| 6. Start/Stop button .....                | 6-4   | 16. Wireless charging system .....    | 5-103 |
| 7. Automatic climate control system ..... | 5-76  | 17. Wireless charging system pad..... | 5-103 |
| 8. Parking/View button .....              | 7-122 | 18. Center console.....               | 5-97  |
| 9. Parking Safety button.....             | 7-145 | 19. Rear seat USB charger .....       | 5-102 |
| 10. Passenger's front air bag .....       | 3-57  |                                       |       |

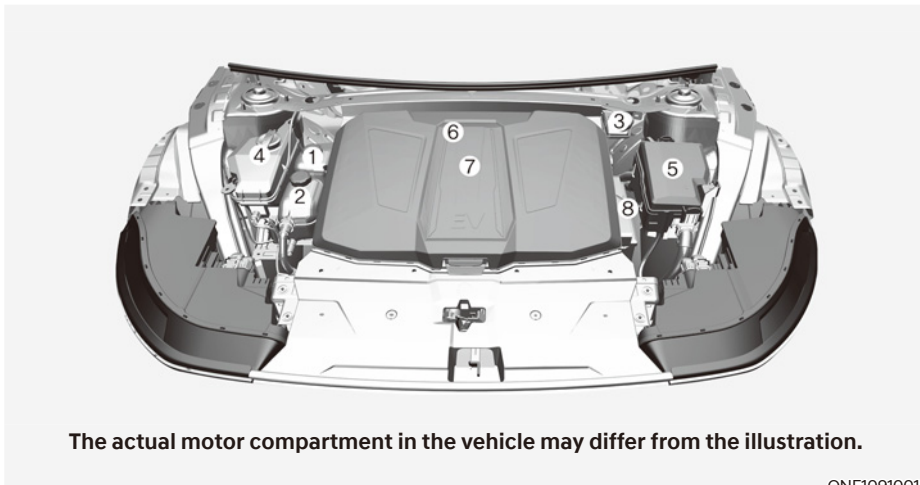
## INSTRUMENT PANEL OVERVIEW (III)



- 1. Lighting control lever ..... 5-62
- 2. Wiper and washer control lever.....5-73
- 3. Rotary shifter(Rotary gear shift dial)..... 6-9
- 4. Paddle shifter.....6-16
- 5. Voice recognition button .....5-112
- 6. Steering wheel audio controls..... 5-110
- 7. Bluetooth wireless technology hands-free button.....5-112
- 8. LCD display control ..... 4-29
- 9. Lane Driving Assist button.....7-27, 7-105
- 10. Driving Assist button ..... 7-59
- 11. Vehicle Distance button..... 7-81
- 12. Drive mode button .....6-48



## MOTOR COMPARTMENT



ONE1091001

- |   |      |                            |      |
|---|------|----------------------------|------|
| 1. Coolant reservoir .....                              | 9-12 | 5. Fuse box .....          | 9-31 |
| 2. Low Conductivity Water (LCW) coolant reservoir ..... | 9-12 | 6. Cabin air filter .....  | 9-15 |
| 3. Brake fluid reservoir .....                          | 9-13 | 7. Front trunk .....       | 5-48 |
| 4. Windshield washer fluid reservoir .....              | 9-14 | 8. Battery (12 volt) ..... | 9-19 |

## DIMENSIONS

| Items          |           | mm (in)                      |               |
|----------------|-----------|------------------------------|---------------|
| Overall length |           | 4,635 (182.48)               |               |
| Overall width  |           | 1,890 (74.41)                |               |
| Overall height |           | 1,605 (63.19)/1647 (64.84) * |               |
| Tread          | Tire size | Front                        | Rear          |
|                | 19 in     | 1,638 (64.49)                | 1,647 (64.84) |
|                | 20 in     | 1,628 (64.09)                | 1,637 (64.49) |
| Wheelbase      |           | 3,000 (118.11)               |               |

\* : if equipped with short fin antenna

## ELECTRIC VEHICLE SPECIFICATIONS

| Items                 |                   | Standard type |            | Extended type |          |
|-----------------------|-------------------|---------------|------------|---------------|----------|
|                       |                   | 2WD           | 4WD        | 2WD           | 4WD      |
| Motor                 | Max. output (kW)  | 124.9         | 53.1+119.5 | 160           | 70+154.6 |
|                       | Max. torque (Nm)  | 350           | 255+350    | 350           | 255+350  |
| Battery (Lithium-ion) | Capacity (kWh)    | 58            | 58         | 72.6          | 72.6     |
|                       | Power output (kW) | 195           | 195        | 253           | 253      |
|                       | Voltage (V)       | 523           | 523        | 653           | 653      |
| Charger (OBC)         | Max. output (kW)  | 10.5 kW       | 10.5       | 10.5          | 10.5     |

OBC : On-Board Battery Chargers

## BULB WATTAGE

| Light bulb |   | Bulb type | Wattage              |                    |
|------------|---|-----------|----------------------|--------------------|
| Front      | Headlamp  | Low       | LED                  |                    |
|            |   | High      | LED                  |                    |
|            | Turn signal lamp  |           | STD:PY21W<br>OPT:LED | STD:21W<br>OPT:LED |
|            | Position lamp   |           | LED                  | LED                |
|            | Daytime Running Lamp (DRL)                                |           | LED                  | LED                |
|            | Front garnish lamp  |           | LED                  | LED                |
|            | Front trunk lamp  |           | LED                  | LED                |
| Rear       | Stop lamp   |           | LED                  | LED                |
|            | Tail lamp   |           | LED                  | LED                |
|            | Turn signal lamp  |           | STD:PY21W<br>OPT:LED | STD:21W<br>OPT:LED |
|            | Reverse lamp  |           | STD: P21W<br>OPT:LED | STD:21W<br>OPT:LED |
|            | License plate lamp  |           | LED                  | LED                |
|            | Fog lamp  |           | LED                  | LED                |
|            | High mounted stop lamp                                    |           | LED                  | LED                |
| Interior   | Front seat map and room lamp                              |           | LED                  | LED                |
|            | Rear seat room lamp (without vision roof and solar roof)  |           | LED                  | LED                |
|            | Rear seat personal lamp (with vision roof and solar roof) |           | LED                  | LED                |
|            | Vanity mirror lamp  |           | FESTOON 5W           | 5W                 |
|            | Glove box lamp  |           | LED                  | LED                |
|            | Door mood lamp  |           | LED                  | LED                |
|            | Luggage compartment lamp                                  |           | FESTOON 10W          | 10W                |

## TIRES AND WHEELS

| Items          | Tire size  | Wheel size | Inflation pressure kPa (psi) |             |              |             | Wheel lug nut torque kgf-m (lbf-ft,N-m) |
|----------------|------------|------------|------------------------------|-------------|--------------|-------------|---|
|                |            |            | Normal load                  |             | Maximum load |             |   |
|                |            |            | Front                        | Rear        | Front        | Rear        |   |
| Full size tire | 235/55R 19 | 7.5J X 19  | 250<br>(36)                  | 250<br>(36) | 260<br>(38)  | 290<br>(42) | 11-13<br>(79-94,<br>108-127)            |
|                | 255/45R 20 | 8.5J X 20  |                              |             |              |             |   |

### NOTICE

- Ambient temperature affects the tire pressure (about 7kPa (psi) for every 7°C (12°F) change). If colder temperatures are anticipated, it is permissible to increase cold tire inflation pressure by up to 20 kPa (3 psi) over the specification. If extreme temperature changes are expected, be sure to check and adjust tire pressure accordingly.
- Tire inflation pressure decreases with higher elevation, and increases with lower elevation (about 10 kPa (2.4 psi) for every kilometer (or mile) elevation change). Be sure to check and adjust tire pressure accordingly when driving through changing elevations.
- Do not exceed the maximum inflation pressure, as found on the sidewall of the tire(s).



### CAUTION

When replacing tires, ALWAYS use the same size, type, brand, construction and tread pattern supplied with the vehicle. If not, it can damage the related parts or make it work irregularly.

## LOAD AND SPEED CAPACITY TIRES (FOR EUROPE)

| Items          | Tire size  | Wheel size | Load capacity |     | Speed capacity |      |
|----------------|------------|------------|---------------|-----|----------------|------|
|                |            |            | LI *1         | kg  | SS *2          | km/h |
| Full size tire | 235/55R 19 | 7.5J X 19  | 105           | 925 | W              | 270  |
|                | 255/45R 20 | 8.5J X 20  | 105           | 925 | W              | 270  |
|                |            |            |               |     | Y              | 300  |

\*1 LI : LOAD INDEX

\*2 SS : SPEED SYMBOL

## AIR CONDITIONING SYSTEM

| Item                 |                   | Weight of volume  | Classification |
|----------------------|-------------------|-------------------|----------------|
| Refrigerant          | Type A            | Heat pump         | R-1234yf       |
|                      |                   | Without heat pump |                |
|                      | Type B            | Heat pump         | R-134a         |
|                      |                   | Without heat pump |                |
| Compressor lubricant | Heat pump         |                   | POE J639       |
|                      | Without heat pump |                   |                |

We recommend that you contact an authorized HYUNDAI dealer for more details.

## VEHICLE WEIGHT AND LUGGAGE VOLUME

| Gross vehicle weight                                 |  | Luggage volume    |
|--|--|-------------------|
| Standard type  | Extended type  |                   |
| 2WD: 2370 kg (5225 lbs.)<br>4WD: 2480 kg (5467 lbs.) | 2WD: 2430 kg (5357 lbs.)<br>4WD: 2540 kg (5600 lbs.) | 527ℓ (18.6 cu ft) |

## AVAILABLE FRONT TRUNK WEIGHT

|     |                |
|-----|----------------|
| 2WD | 25 kg (55 lbs) |
| 4WD | 10 kg (25 lbs) |

Available front trunk weight depends on the specifications.

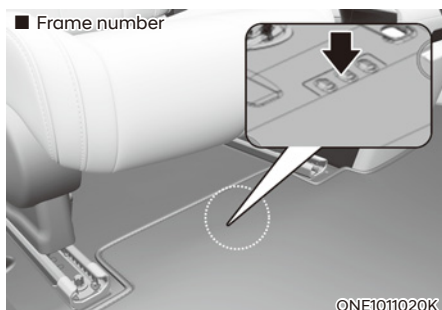
## RECOMMENDED LUBRICANTS AND CAPACITIES

To help achieve proper vehicle performance and durability, use only lubricants of the proper quality.

These lubricants and fluids are recommended for use in your vehicle.

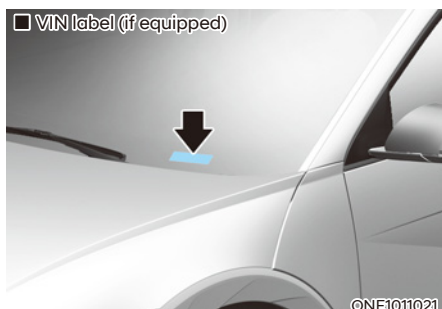
| Lubricant            |               |                              | Volume                       | Classification  |  |
|----------------------|---------------|------------------------------|------------------------------|---|--|
| Reduction gear fluid | 2WD           | Rear                         | 3.4~3.5ℓ<br>(3.6~3.7 US qt.) | HK ATF 65 SP4M-1                                      |  |
|                      |               | 4WD                          | 3.2~3.3ℓ<br>(3.4~3.5 US qt.) |   |  |
|                      | Rear          | 3.4~3.5ℓ<br>(3.6~3.7 US qt.) |                              |   |  |
| Coolant              | Standard type | with heat pump               | 2WD                          | 6.3ℓ (6.6 US qt.)                                     | Designated coolant water for electric vehicles |
|                      |               |                              | 4WD                          | 6.8ℓ (7.2 US qt.)                                     |  |
|                      |               | without heat pump            | 2WD                          | 6.4ℓ (6.8 US qt.)                                     |  |
|                      |               |                              | 4WD                          | 6.8ℓ (7.2 US qt.)                                     |  |
|                      | Extended type | with heat pump               | 2WD                          | 6.3ℓ (6.6 US qt.)                                     |  |
|                      |               |                              | 4WD                          | 6.8ℓ (7.2 US qt.)                                     |  |
| without heat pump    | 2WD           | 6.4ℓ (6.8 US qt.)            |                              |   |  |
|                      | 4WD           | 6.8ℓ (7.2 US qt.)            |                              |   |  |
| LCW Coolant          | Standard type | with heat pump               | 2WD                          | 9.4ℓ (9.9 US qt.)                                     |  |
|                      |               |                              | 4WD                          | 9.4ℓ (9.9 US qt.)                                     |  |
|                      |               | without heat pump            | 2WD                          | 8.8ℓ (9.3 US qt.)                                     |  |
|                      |               |                              | 4WD                          | 8.8ℓ (9.3 US qt.)                                     |  |
|                      | Extended type | with heat pump               | 2WD                          | 11.9ℓ (12.6 US qt.)                                   |  |
|                      |               |                              | 4WD                          | 11.6ℓ (12.3 US qt.)                                   |  |
|                      |               | without heat pump            | 2WD                          | 11.2ℓ (11.8 US qt.)                                   |  |
|                      |               |                              | 4WD                          | 11.7ℓ (12.4 US qt.)                                   |  |
| Brake fluid          |               |                              | As required                  | SAE J1704 DOT-4 LV, FMVSS 116 DOT-4, ISO 4925 CLASS-6 |  |

## VEHICLE IDENTIFICATION NUMBER (VIN)



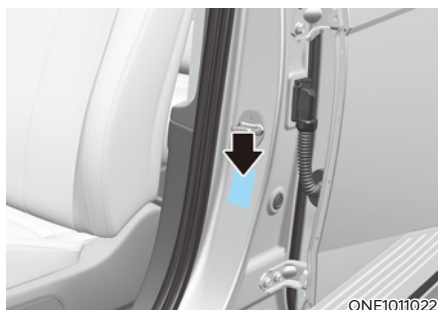
The vehicle identification number (VIN) is the number used in registering your vehicle and in all legal matters pertaining to its ownership, etc.

The number is punched on the floor under the right front seat. To check the number, open the cover.



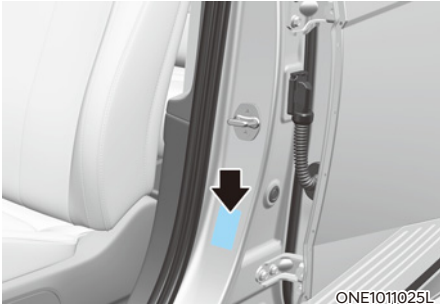
The VIN is also on a plate attached to the top of the left side dashboard. The number on the plate can easily be seen through the windshield from outside.

## VEHICLE CERTIFICATION LABEL



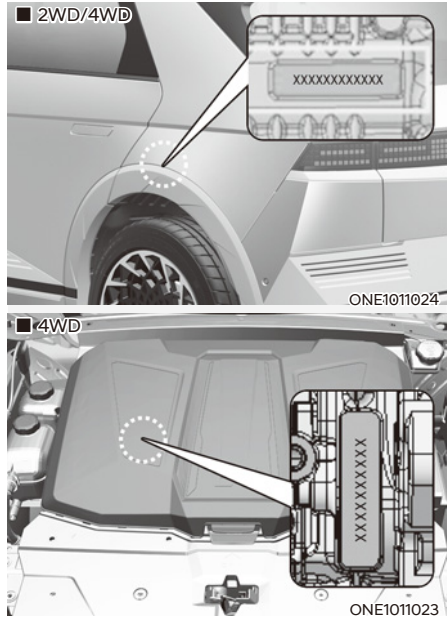
The vehicle certification label attached on the driver's (or front passenger's) side center pillar gives the vehicle identification number (VIN).

## TIRE SPECIFICATION AND PRESSURE LABEL



The tires supplied on your new vehicle are chosen to provide the best performance for normal driving. The tire label located on the driver's side center pillar gives the tire pressures recommended for your vehicle.

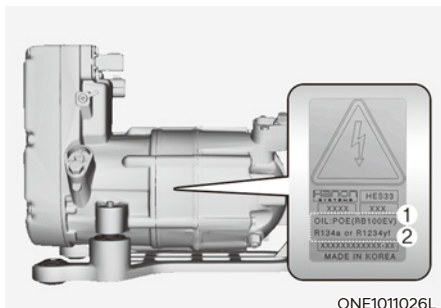
## MOTOR NUMBER



The motor numbers can be checked at the bottom of the vehicle.



## AIR CONDITIONER COMPRESSOR LABEL



A compressor label informs you the type of compressor your vehicle is equipped with such as model, supplier part number, production number, refrigerant (1) and refrigerant oil (2).

## REFRIGERANT LABEL



The refrigerant label provides information such as refrigerant type and amount.

## DECLARATION OF CONFORMITY (IF EQUIPPED)

■ Example

CE CE 0678

CE0678

The radio frequency components of the vehicle comply with requirements and other relevant provisions of Directive 1995/5/EC.

Further information including the manufacturer's declaration of conformity is available on HYUNDAI web site as follows;

<http://service.hyundai-motor.com>